

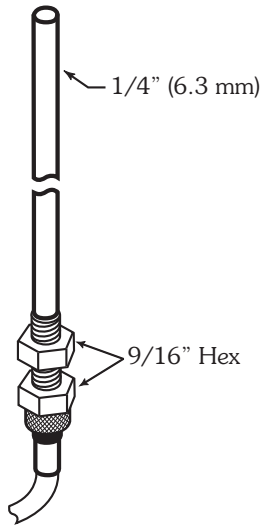
TE-703/704

SPECIFICATIONS:

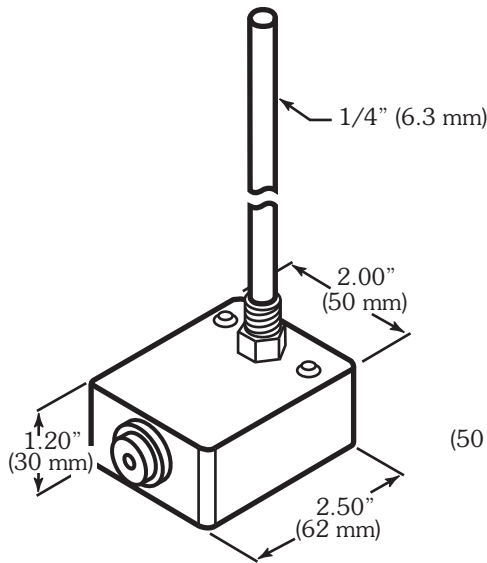
Platinum RTD sensors:	+/- 0.1% @ 0 C, Alpha : 385 per DIN 43760
Nickel RTD sensors: (#2)	+/- 0.5 C @ 0 C, 5000 PPM/K T.C.R.
Nickel RTD sensors: (#4)	+/- 0.5 F @ 70 F / 21.1 C, 6000 PPM/K T.C.R.
Balco RTD sensors:	+/- 0.5 F @ 70 F / 21.1 C, 4300 PPM/K T.C.R.
Thermistor sensors:	+/- 0.2 C interchangeability @ 77 F/ 25 C
Probe Material:	1/4" / 6.3mm O.D, 0.020" / 0.5mm wall 304 Stainless Steel
Flange Material:	Galvanized Steel
Bulkhead Fitting:	Brass with poly compression sleeve
Plastic Enclosure:	Polycarbonate 30% glass filled, rated UL 94V-5-0
Steel NEMA-1 / IP-30:	18 Ga. Galvanized Steel
Steel NEMA-4 / IP-65:	18 Ga. Cold Rolled Steel, Baked on Enamel
Operating Temp:	-40F/-40C to 210F/100C
Ambient Temp:	-40F/-40C to 160F/70C
Warranty:	Five Years (Lifetime on Moisture Migration).

U.S. PATENT NO. 6457857, 6555748, 6599012, 7036224

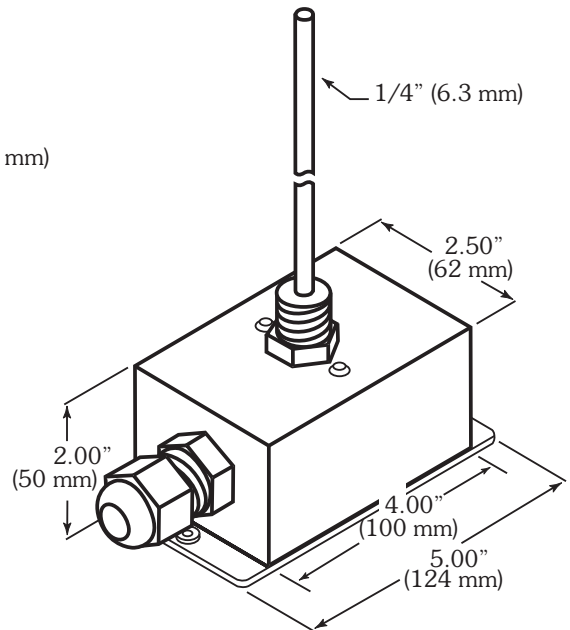
TE-703-A



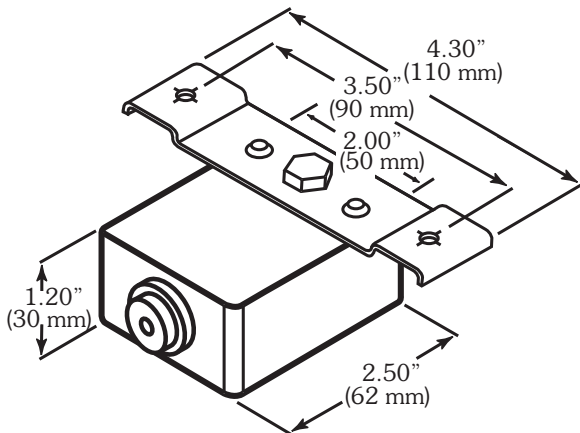
TE-703-B



TE-703-C/D



TE-704-B



TE-704-C/D

